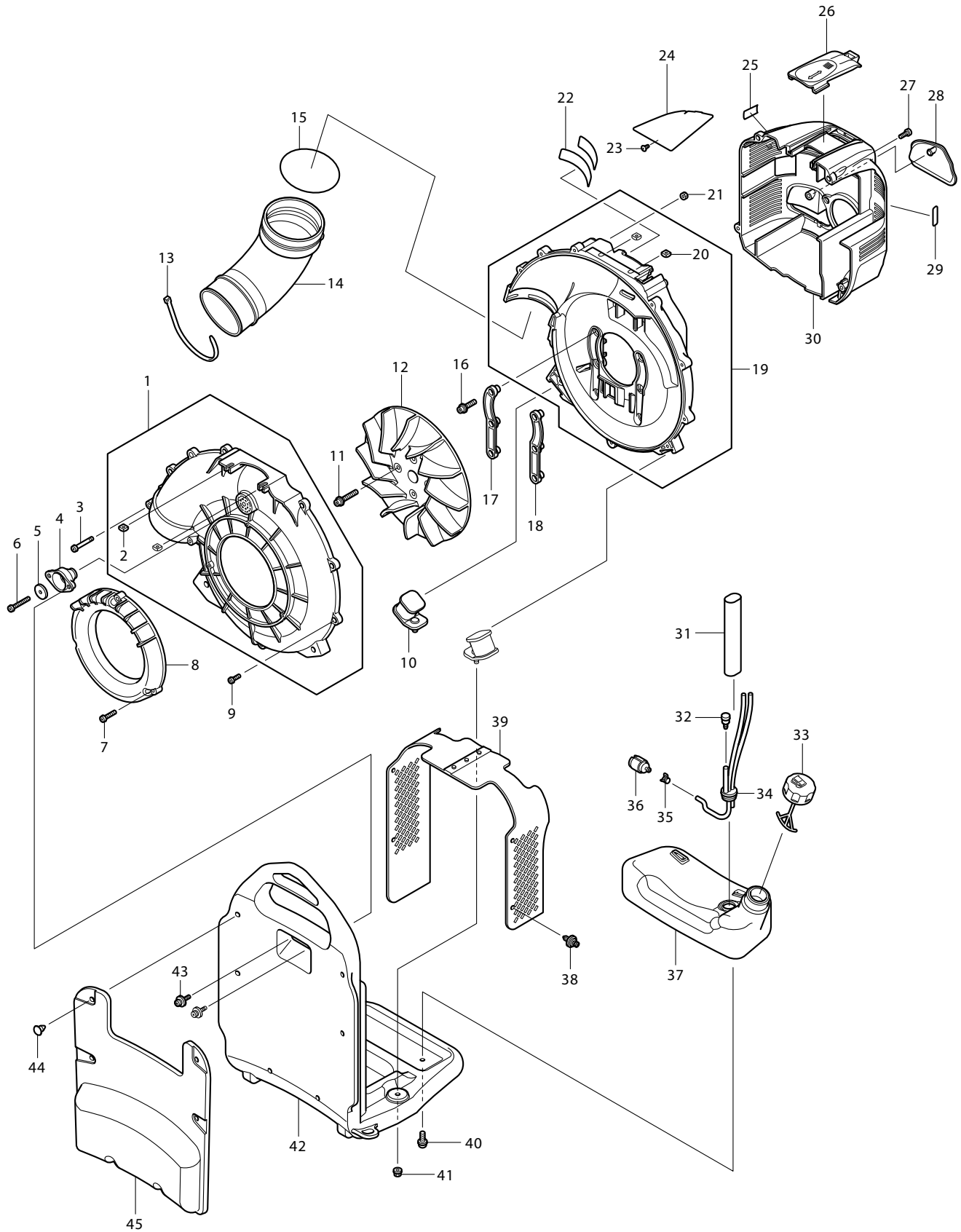
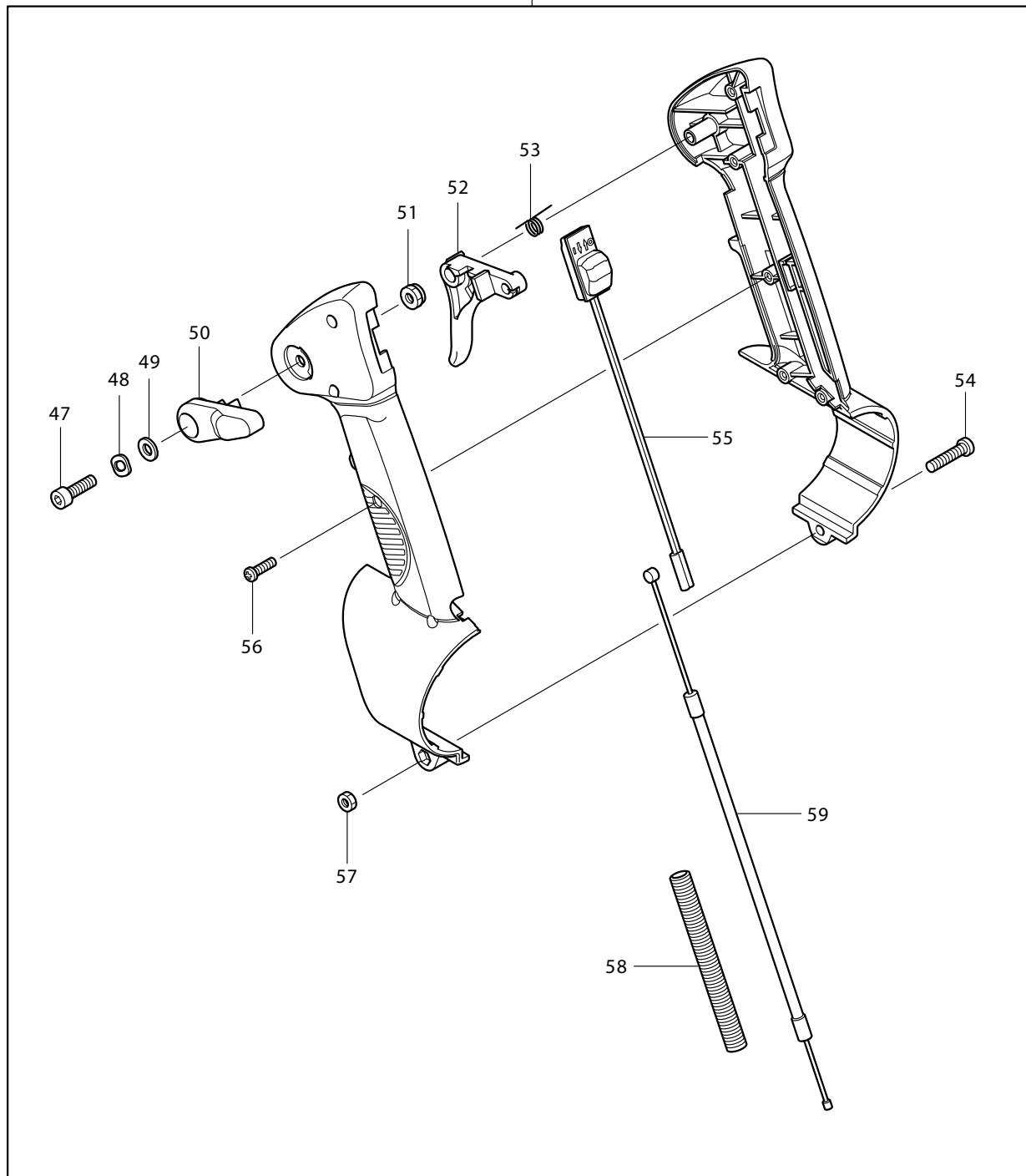


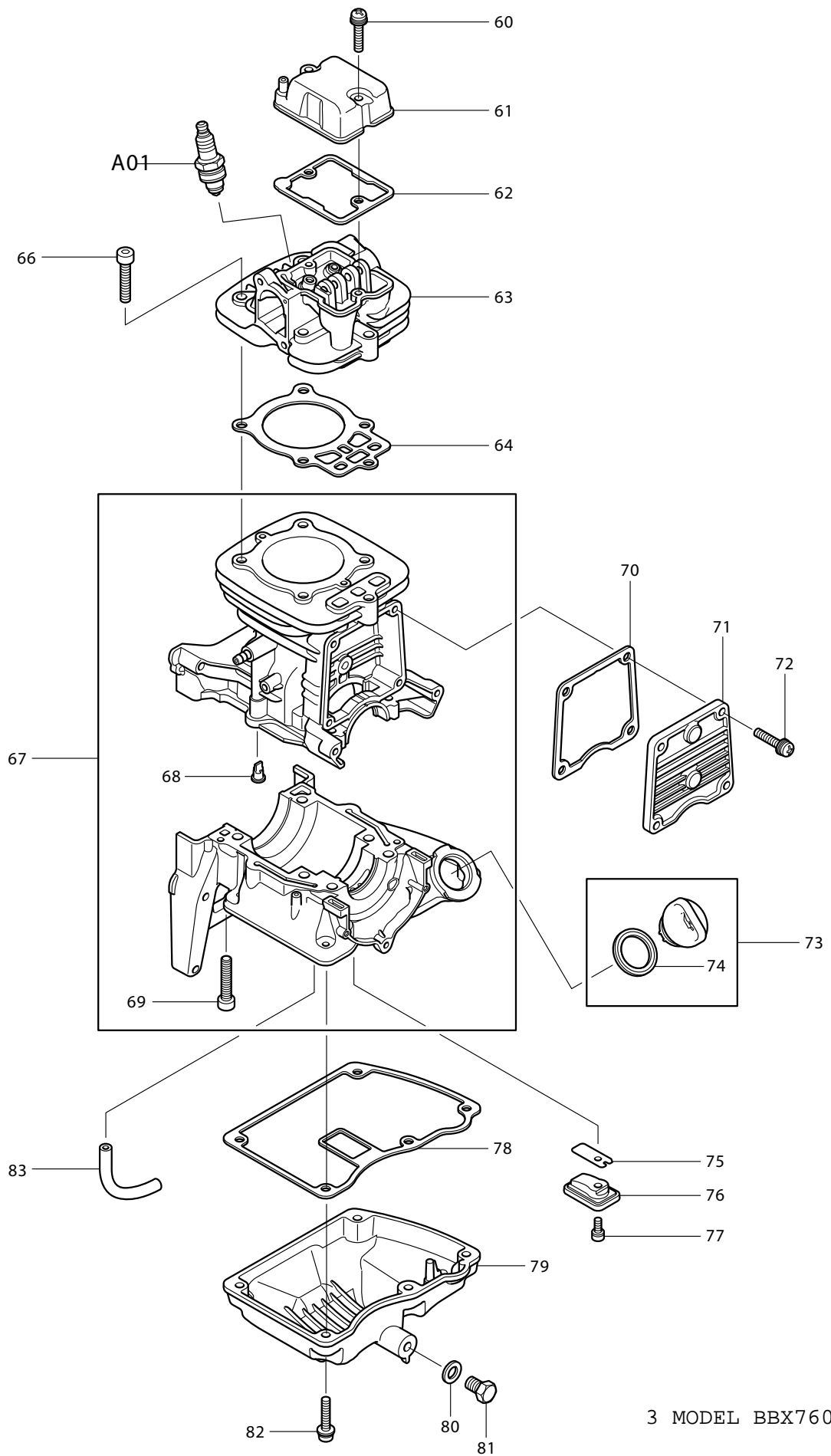


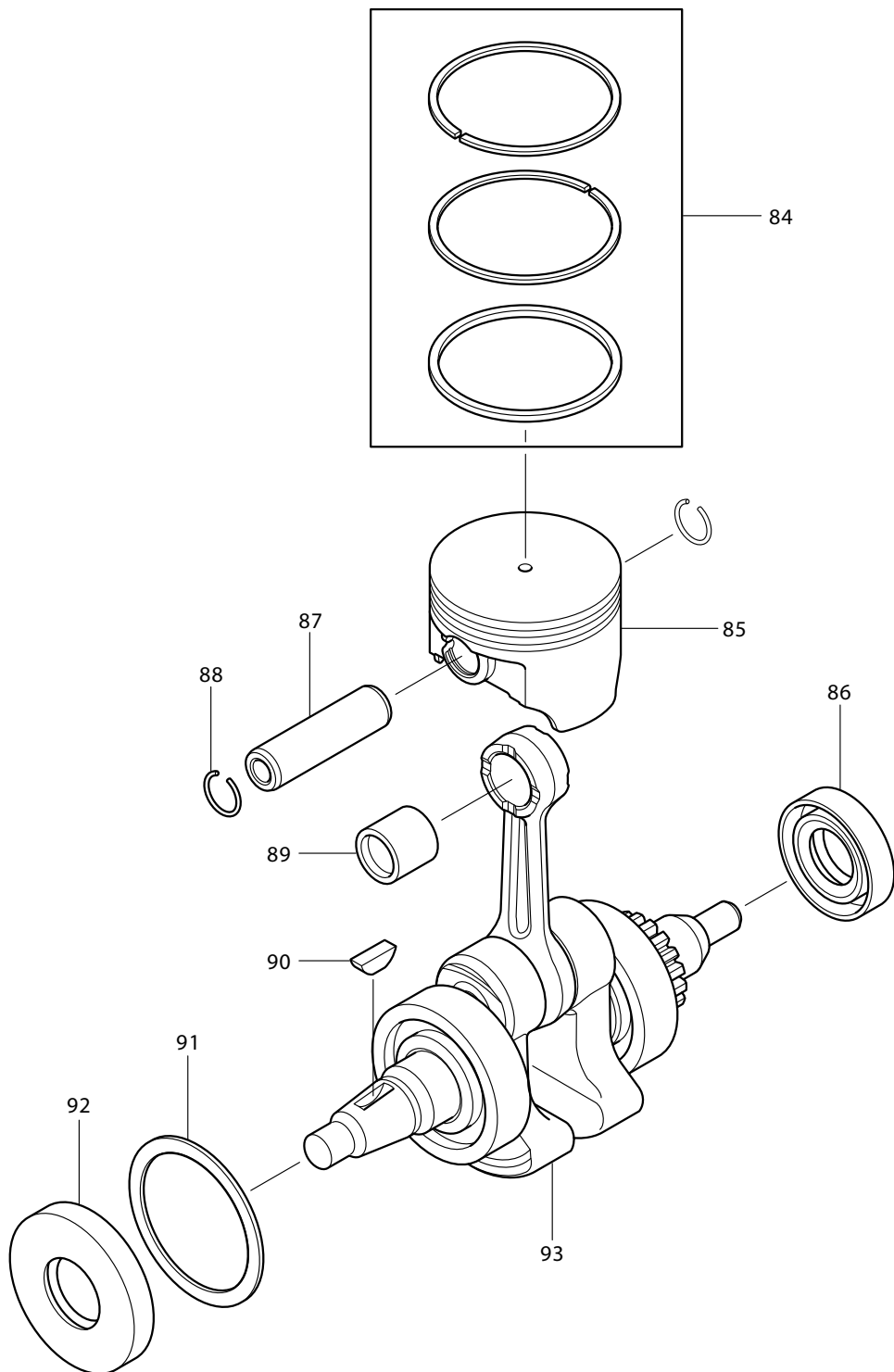
08 - 2010  
BBX7600 / BBX7600CA  
76CC BLOWER

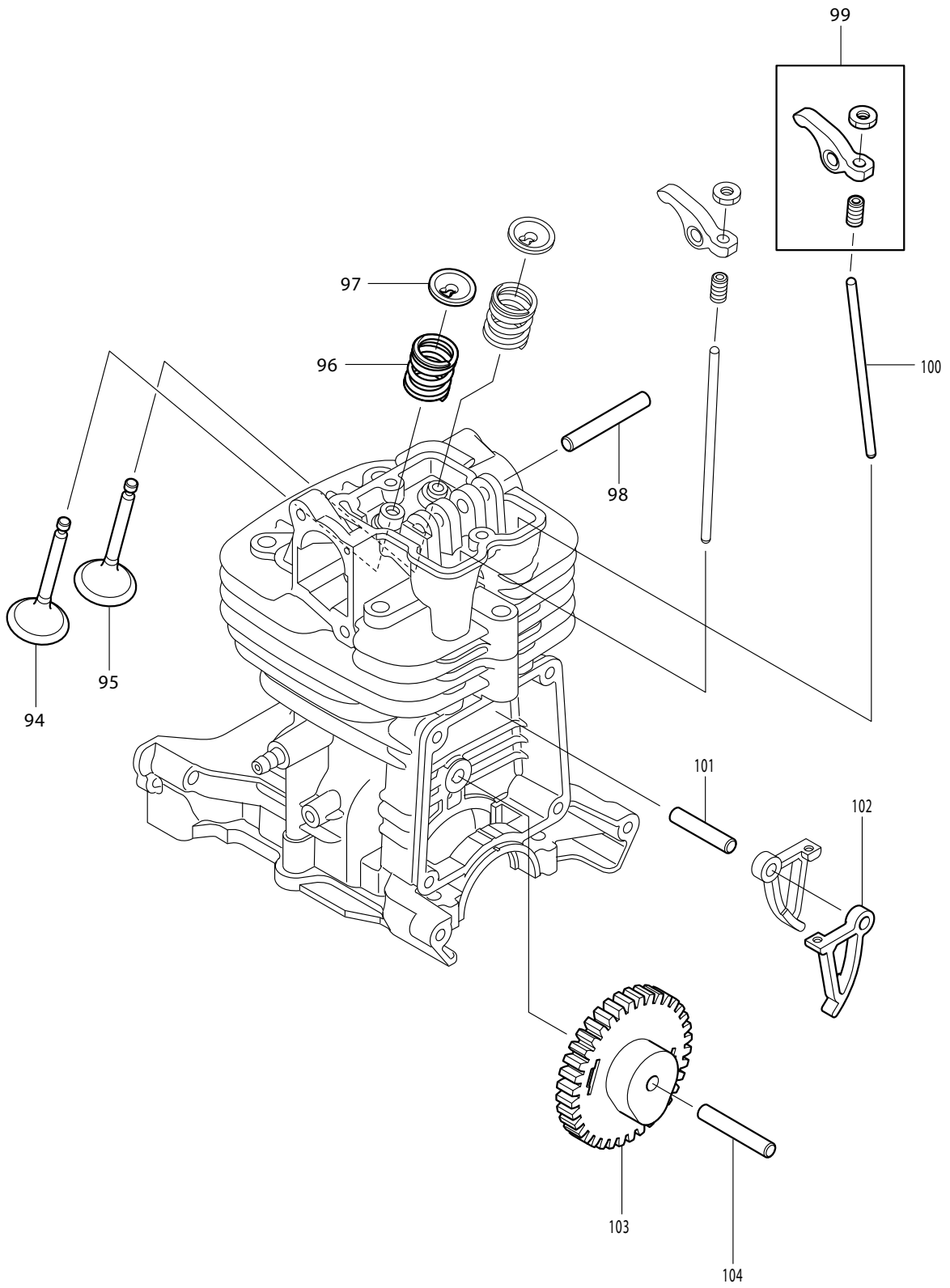


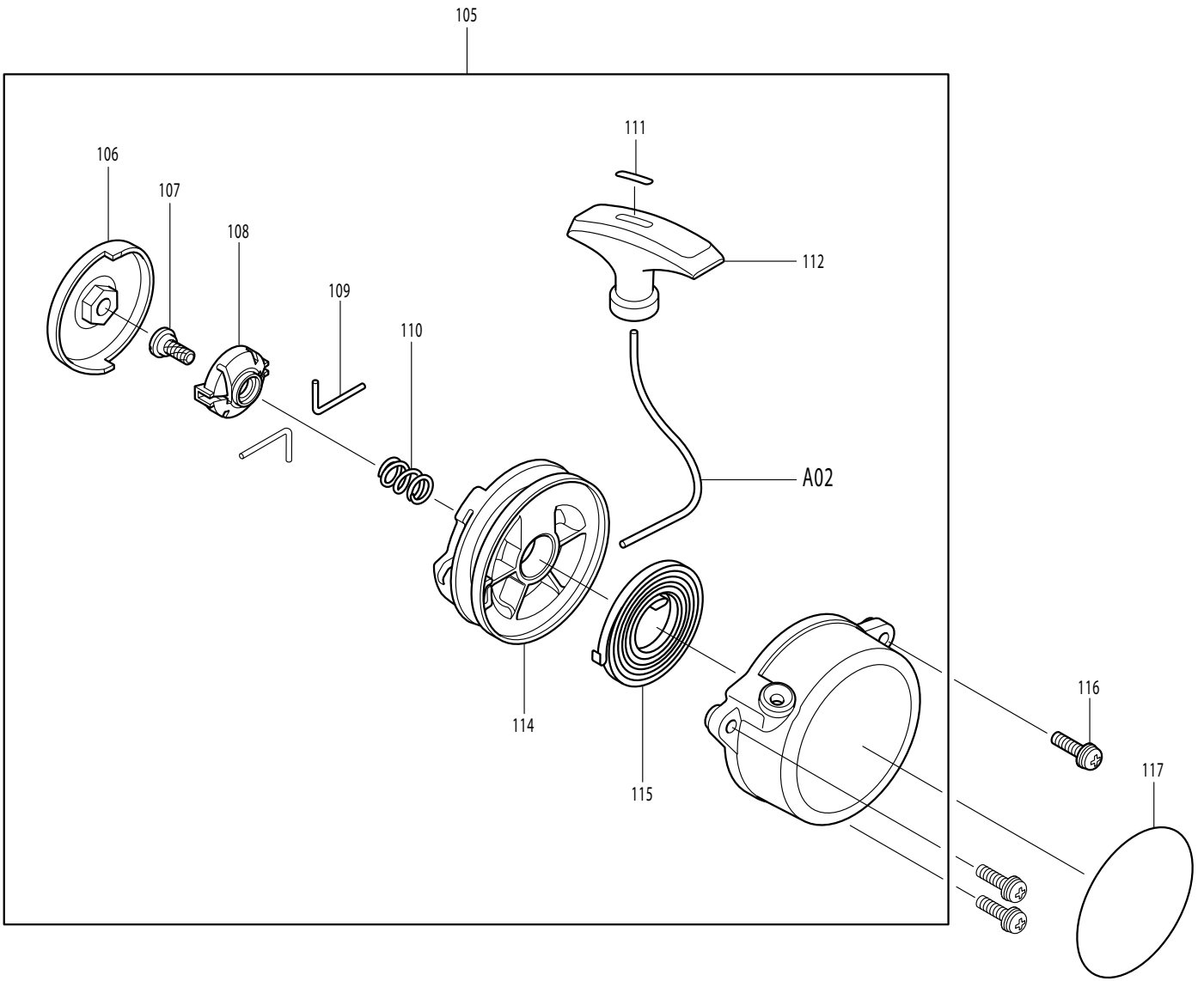
46

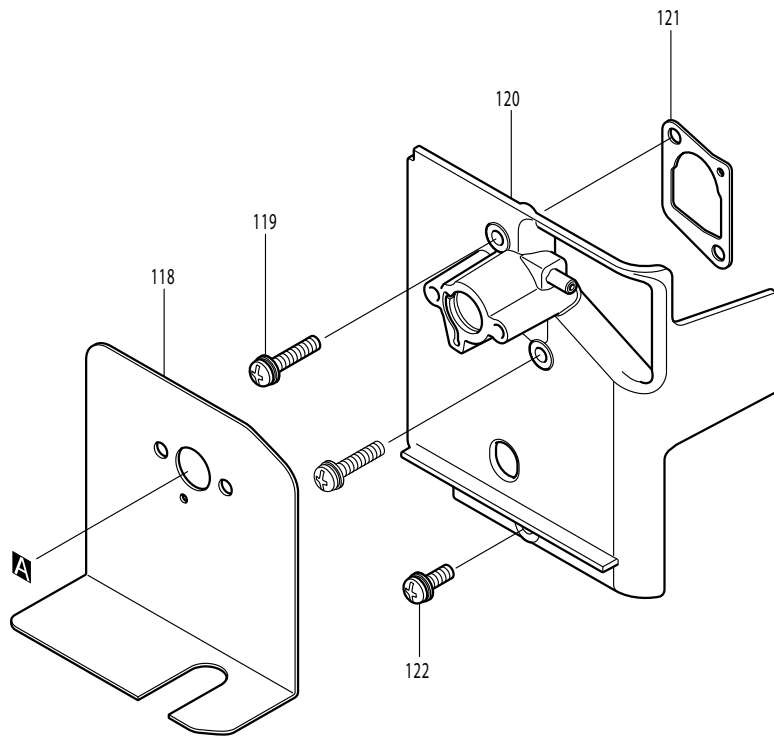




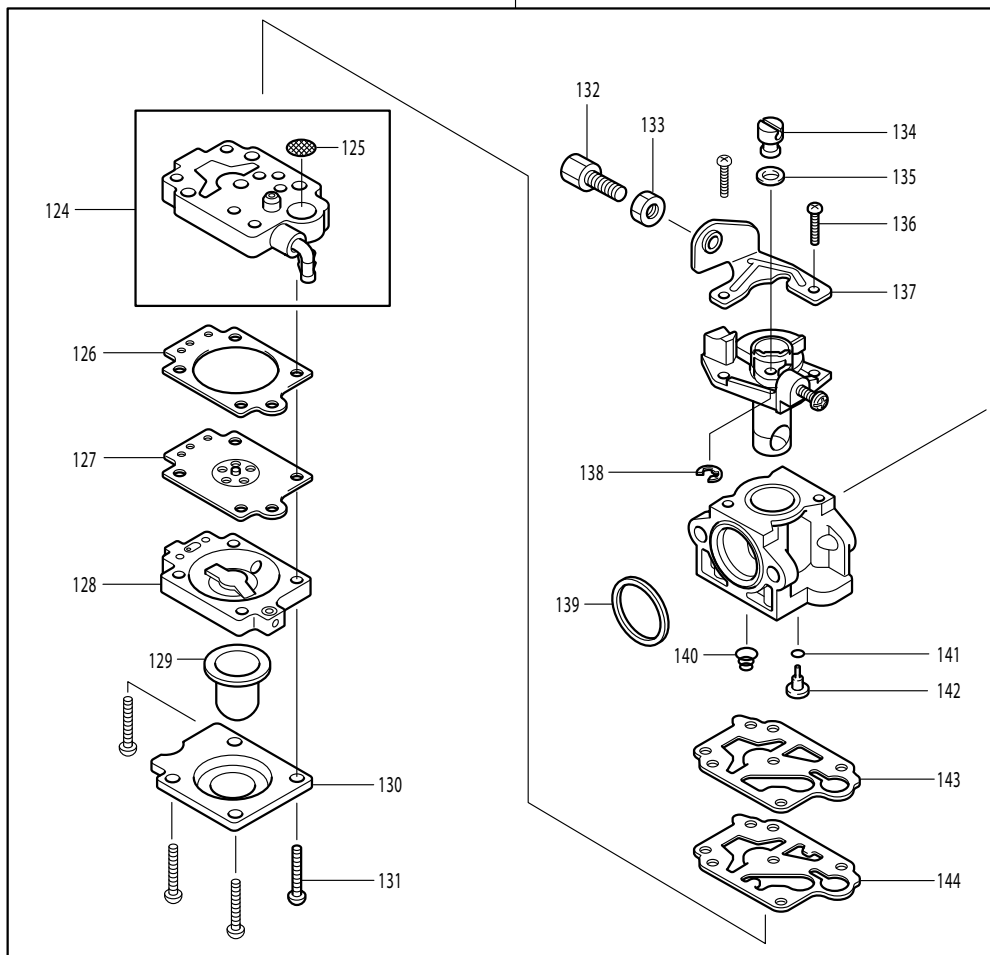


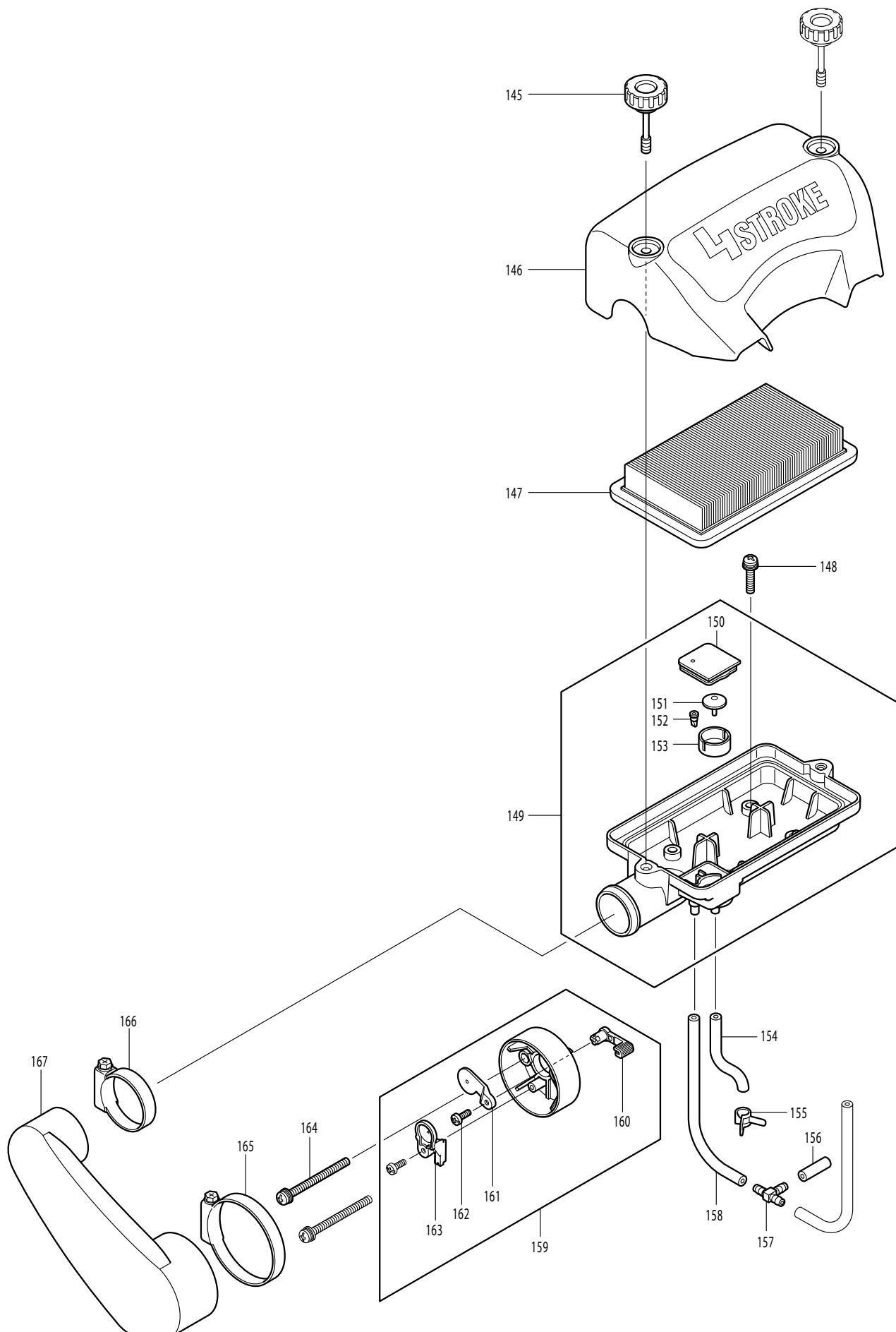




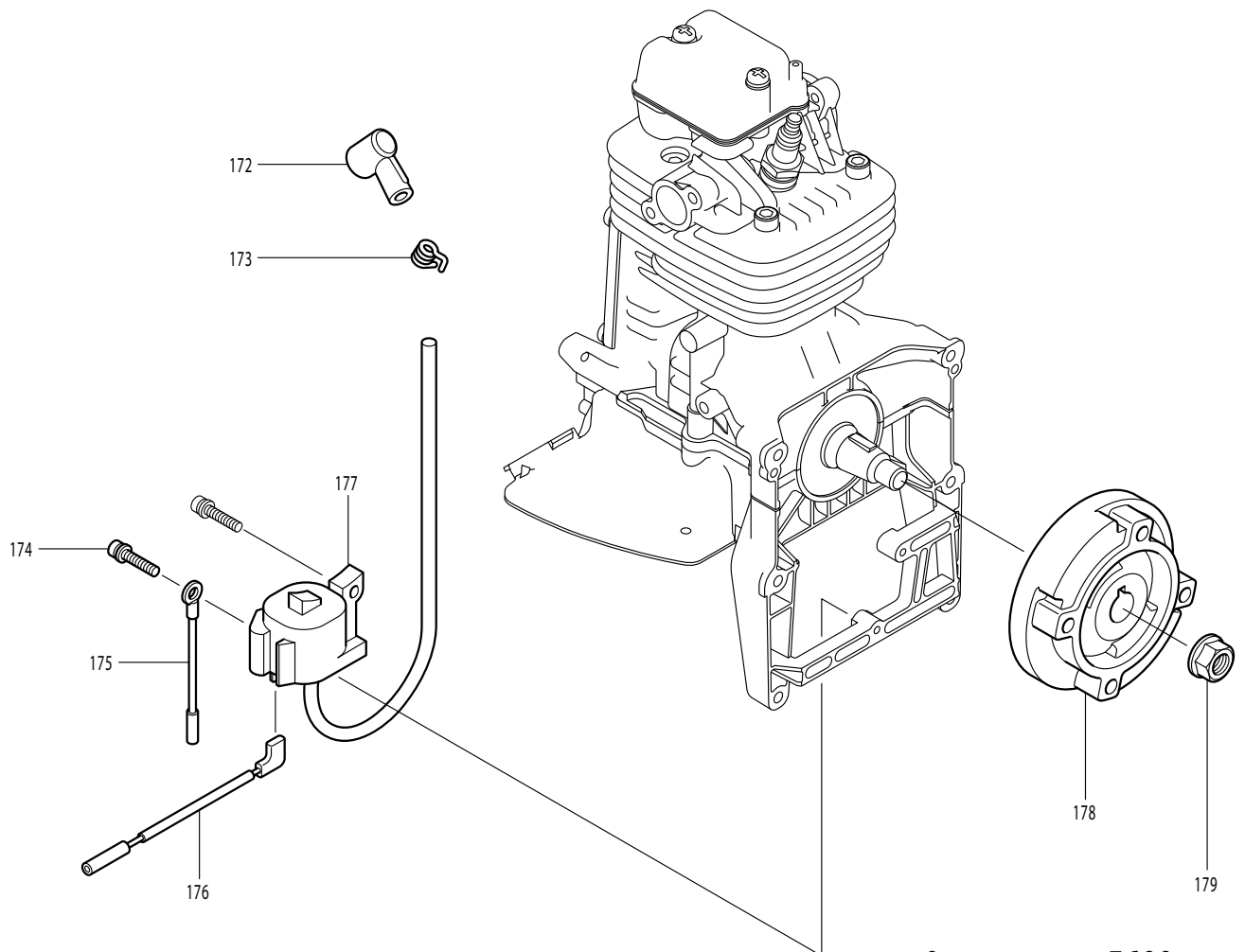
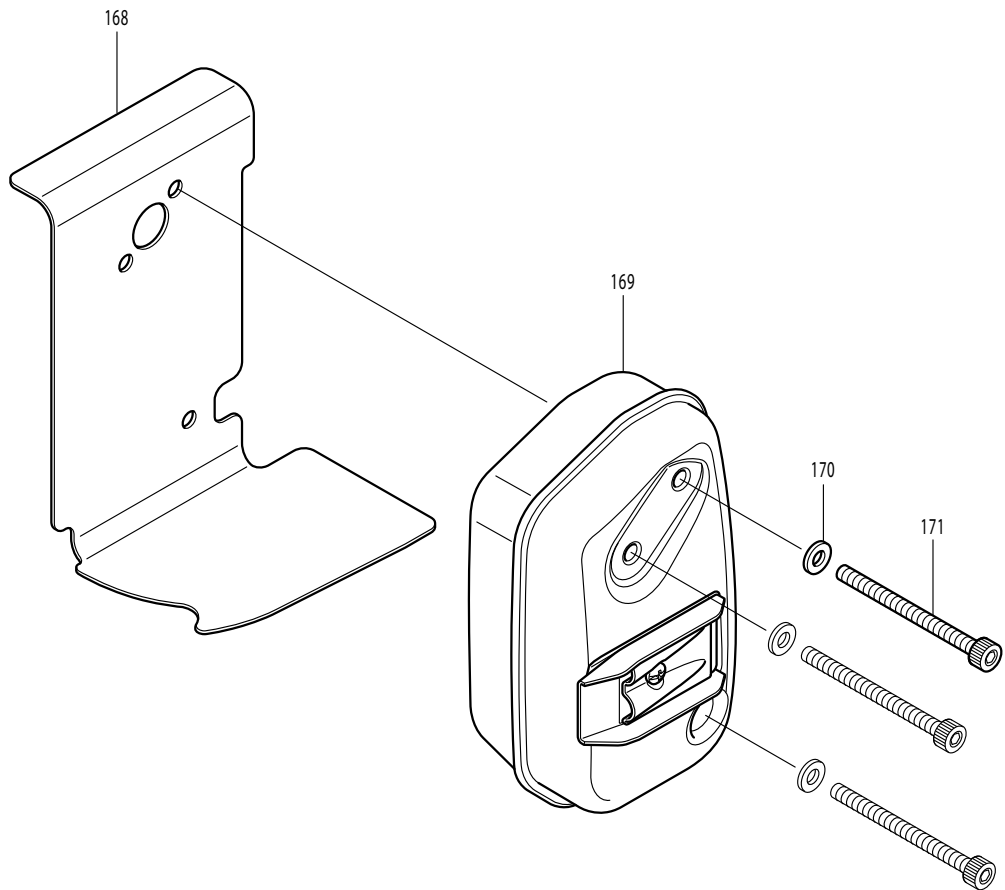


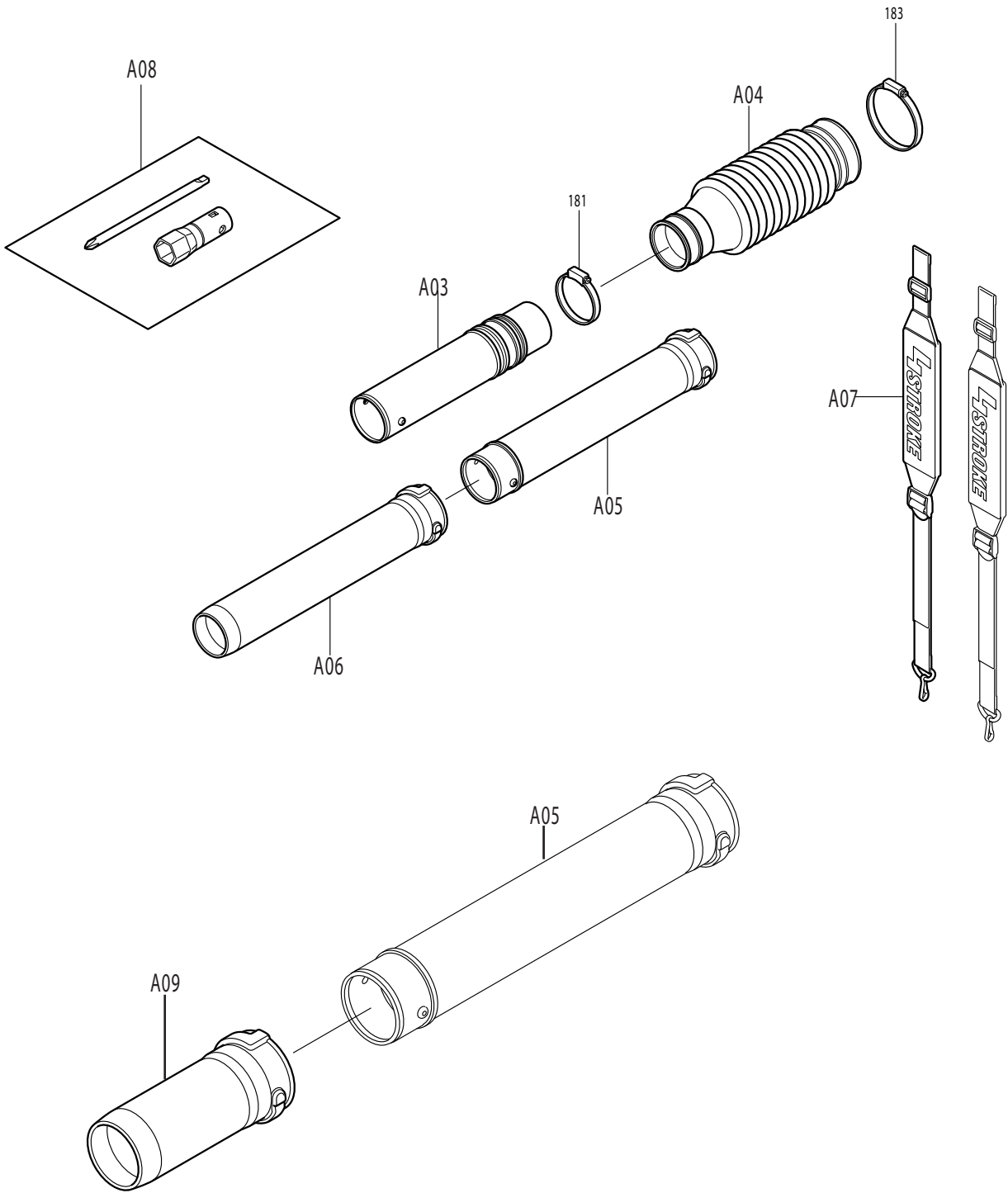
123











Item	Type	Sub	Description	Qty	Unit
1	1		6671007001 VOLT CASE 1 ASSY	1	PC.
		INC.	Item No.2		
	2		6671007001 VOLUTE CASE 1 ASSY	1	PC.
		INC.	Item No.2		
2	1		6671005010 SQUARE NUT	2	PC.
	2		6671005011 SQUARE NUT	2	PC.
3			0140059220 SCREW ASSY M5X65 (W.SW)	2	PC.
4			6671002000 DAMPER 1 COMPL	1	PC.
5			0200059910 WASHER M5	1	PC.
6			0043105400 PAN HEAD SCREW M5X40	1	PC.
7			0150059730 TAPPING SCREW 5X25	3	PC.
8			6671001000 INLET COVER COMPL	1	PC.
9	1		0150059760 TAPPING SCREW 5X16	9	PC.
	2		0150059800 TAPPING SCREW M5X18	9	PC.
10			6671003000 DAMPER 2 COMPL	2	PC.
11	1		0119069690 SOCKET HEAD BOLT M6X40 W/ SW	4	PC.
	2		0119069691 SOCKET HEAD BOLT M6X40 W/ SW W/THREAD LOCK	4	PC.
12	1		6671004000 IMPELLER COMPL	1	PC.
	2		240138-1 IMPELLER	1	PC.
13			0563379990 WIRE BAND	1	PC.
14			6671500400 ELBOW	1	PC.
15	1	*	0240989990 O RING	1	PC.
	2	*	213645-7 O RING 93	1	PC.
16	1		0119069680 SOCKET HEAD BOLT M6X30 W/ SW	6	PC.
	2		266649-8 SOCKET HEAD BOLT M6X30	6	PC.
17	1		6671500200 BASE 1	1	PC.
	2		318890-0 BASE L	1	PC.
18	1		6671500300 BASE 2	1	PC.
	2		318891-8 BASE R	1	PC.
19	4		6671008003 * CASE 2 VOLUTE ASSY	1	PC.
		INC.	* Item No.20		
20	1		6671005010 SQUARE NUT	2	PC.
	2		6671005011 SQUARE NUT	2	PC.
21	1		0170059950 NUT M5	2	PC.
	2		931202-6 NUT M5	2	PC.
22	1		0736289980 * CAUTION LABEL	1	PC.
	2		892460-8 * CAUTION LABEL	1	PC.
23			0150049820 * TAPPING SCREW 4X6 (OLD)	1	PC.
24			6676500700 * MUFFLER GUARD (OLD)	1	PC.
25	1		0736309870 LABEL	1	PC.
	2		898343-0 CAUTION LABEL	1	PC.
26	1		6656500100 PLUG COVER	1	PC.
	2		450964-2 PLUG COVER	1	PC.
27			0150059800 TAPPING SCREW M5X18	4	PC.
28	1		6676500100 OIL GUARD	1	PC.
	2		424504-2 OIL GUARD	1	PC.
29	1		6419504300 CHOKE LABEL	1	PC.
	2		898454-1 CHOKE LABEL	1	PC.
30	5		453712-8 * ENGINE COVER	1	PC.
	6		141521-4 * ENGINE COVER COMPLETE	1	PC.
		INC.	* Item No.25,190-192, 206		
31	1		0851159861 TUBE	1	PC.
	2		412119-7 TUBE GUARD 20-160	1	PC.
32	1		5316503300 BREATHER	1	PC.
	2		168396-6 BREATHER	1	PC.
33	1		5926017000 FUEL TANK CAP ASSY	1	PC.
	2		125472-9 FUEL TANK CAP ASSY	1	PC.
34	2		168787-1 TUBE COMPLETE	1	PC.
35	1		0561059990 HOSE CLAMP	1	PC.
	2		345920-4 HOSE CLAMP	1	PC.
36	1		5806502900 FILTER	1	PC.
	2		163532-9 FILTER	1	PC.

Item	Type	Sub	Description	Qty	Unit
37	4		454007-2 * FUEL TANK, FLUORIDIZED	1	PC.
	5		123421-0 * FUEL TANK ASSEMBLY	1	PC.
		INC.	* Item No. 31-36		
38			6672500300 ROCK RIVET	4	PC.
39			6672002000 GUARD COMPL	1	PC.
40			0043706120 SCREW ASSY M6X12 W/ SW	2	PC.
41	1		0023706000 FLANGE NUT M6	2	PC.
	2		264092-5 FLANGE NUT M6	2	PC.
42			6672001000 FRAME COMPL	1	PC.
43			0140059210 SCREW ASSY M5X16 W/ SW	2	PC.
44			6672500200 ROCK RIVET	6	PC.
45	1		6672500000 CUSHION - N/L/A	1	PC.
	2		6672003000 CUSHION COMPLETE	1	PC.
46	1		6675001001 * CONTROL LEVER ASSY	1	PC.
		INC.	* Item No.47-59		
	2		6675001002 * CONTROL LEVER ASSY	1	PC.
		INC.	* Item No.47-59		
	3		126137-6 CONTROL LEVER ASSY	1	PC.
		INC.	Item No.47-59		
	4		197095-3 * CONTROL LEVER SET	1	PC.
		INC.	Item No.47-59		
	5		198218-6 * CONTROL LEVER SET	1	PC.
		INC.	Item No.47-59		
47	1		6675001010 SOCKET HEAD BOLT M6X20	1	PC.
	2		922317-0 HEX. SOCKET HEAD BOLT M6X14	1	PC.
48	1		0032206000 WAVE WASHER	1	PC.
	2		267841-9 WAVE WASHER 7	1	PC.
49	1		0031106000 WASHER	1	PC.
	2		267459-6 FLAT WASHER 7	1	PC.
50	1		6625500701 THROTTLE LEVER 2	1	PC.
	2		453717-8 THROTTLE LEVER 2	1	PC.
51	1		0170069960 NUT	1	PC.
	2		931302-2 HEX. NUT M6	1	PC.
52	1		6625500601 THROTTLE LEVER 1	1	PC.
	2		453716-0 THROTTLE LEVER 1	1	PC.
53	1		6625500901 TORSION SPRING	1	PC.
	2		233602-9 TORSION SPRING 9	1	PC.
54	1		6675001030 SCREW M5X25	1	PC.
	2		911242-0 PAN HEAD SCREW M5X25	1	PC.
55	1		6675004000 SWITCH COM.	1	PC.
	2		168745-7 SWITCH COM.	1	PC.
56	1		6675001020 TAPPING SCREW 4X16	5	PC.
	2		266768-0 TAPPING SCREW 4X16	5	PC.
57	2		931202-6 * HEX. NUT M5 (OLD# 017059950)	1	PC.
	3		252103-8 * HEX LOCK NUT M5-8	1	PC.
58	1		6675500001 CABLE TUBE	1	PC.
	2		453715-2 TUBE CABLE	1	PC.
59	1		0630139820 CONTROL CABLE	1	PC.
	2		168744-9 CONTROL CABLE	1	PC.
60	1		0043605300 * SCREW ASS'Y	2	PC.
	2		0119059570 * SOCKET HEAD BOLT M5X30	2	PC.
	3		266789-2 * H.S.H.BOLT M5X30 W/ WASHER	2	PC.
	4		922253-0 * H.S.H.BOLT M5X30 W/ WASHER	2	PC.
61	1		5971500700 * ROCKER COVER	1	PC.
	2		5971500701 * ROCKER COVER - N/A	1	PC.
	3		141771-1 * ROCKER COVER COM.	1	PC.
62	2		5971500900 ROCKER COVER GASKET	1	PC.

Item	Type	Sub	Description	Qty	Unit	
63	1		5971003001 * CYLINDER HEAD COM.	1	PC.	
	2		5971003002 * CYLINDER HEAD COM.	1	PC.	
		INC.		* Item No. 98, 99		
	3		142381-7 * CYLINDER HEAD COM.	1	PC.	
		INC.		* Item No. 98, 99		
	4		142771-4 CYLINDER HEAD COM.	1	PC.	
		INC.	Item No. 98, 99			
		INC.	313283-6 VALVE GUIDE (Added)	2	PC.	
		INC.	424424-0 VALVE STEM SEAL (Added)	1	PC.	
64	2		5971500502 CYLINDER HEAD GASKET - N/L/A	1	PC.	
	3		442167-2 CYLINDER HEAD GASKET	1	PC.	
66	1		0119069670 SOCKET HEAD BOLT M6X35	5	PC.	
	2		922357-8 SOCKET HEAD BOLT M6X35	5	PC.	
67	1		5971007000 * CYLINDER BLOCK SET	1	PC.	
		INC.		* Item No.68,69		
	2		5971007001 * CYLINDER BLOCK SET	1	PC.	
		INC.		* Item No.68,69		
	3		197786-6 * CYLINDER BLOCK SET	1	PC.	
		INC.		* Item No.68,69,101		
	4		123580-0 ENGINE BLOCK ASSEMBLY (N/A)	1	PC.	
		INC.		Item No. 60- 64, 66, 70- 89, 91-100, 102-104, 187, 198		
		INC.	197786-6 CYLINDER BLOCK SET (Inc. Item No.68,69,101)	1	PC.	
		5	123580-0 ENGINE BLOCK ASSEMBLY (N/A)	1	PC.	
	INC.		Item No. 60- 64, 66, 70- 89, 91-100, 102-104, 187, 198			
	INC.	135739-7 CYLINDER BLOCK ASSY (Inc. Item No.68,69,101)	1	PC.		
	2	424201-0 CHECK VALVE	2	PC.		
69	1		0119069930 HEX. SOCKET HEAD BOLT M6X30	6	PC.	
	2		922352-8 HEX. SOCKET HEAD BOLT M6X30	6	PC.	
70	2		5971500800 CAMGEAR COVER GASKET	1	PC.	
	3		442168-0 CAM GEAR GASKET	1	PC.	
71	1		5971500600 CAMGEAR COVER	1	PC.	
	2		318725-5 CAM GEAR COVER	1	PC.	
72	3		266813-1 * H.S.H.BOLT M5X16 W/ WR	4	PC.	
73			6676005000 OIL CAP ASSY	1	PC.	
		INC.		Item No.74		
74			0213229980 GASKET	1	PC.	
75	1		5921501000 REED VALVE	1	PC.	
	2		346083-9 LEAD VALVE	1	PC.	
76			5931501300 RETAINER PLATE	1	PC.	
77			0119049980 SOCKET HEAD BOLT M4X10	1	PC.	
78			5976500100 OIL CASE GASKET	1	PC.	
79	1		5976500000 OIL CASE	1	PC.	
	2		319008-6 OIL CASE	1	PC.	
80	1		0037008000 ALUMINUM GASKET	1	PC.	
	2		346452-4 GASKET	1	PC.	
81	1		0016608120 BOLT M8X12	1	PC.	
	2		266916-1 HEX. BOLT M8X12	1	PC.	
82	1		0140059680 * SCREW M5X25	5	PC.	
	2		0119059390 SOCKET HEAD BOLT M5X25	5	PC.	
	3		922243-3 SOCKET HEAD BOLT M5X25	5	PC.	
83			0851109960 TUBE	1	PC.	
84	1		5972003000 PISTON RING SET	1	PC.	
	2		197040-8 PISTON RING SET	1	PC.	
85	1		5972500001 PISTON	1	PC.	
	2		5972500002 PISTON - N/L/A	1	PC.	
	3		318726-3 PISTON	1	PC.	
86	1		0440179910 OIL SEAL S	1	PC.	
	2		213599-8 OIL SEAL 17	1	PC.	
87	1		5802500701 PISTON PIN	1	PC.	
	2		5802500702 PISTON PIN	1	PC.	
	3		257344-1 PISTON PIN	1	PC.	
88	1		0565119990 CLIP	2	PC.	
	2		233995-4 RING SPRING 12	2	PC.	
89			0610129940 NEEDLE ROLLER BEARING	1	PC.	
90			0323049950 WOODRUFF KEY	1	PC.	

Item	Type	Sub	Description	Qty	Unit
91	1	5972500800	CLIP	1	PC.
	2	267448-1	FLAT WASHER 41	1	PC.
92	1	0440209890	OIL SEAL L	1	PC.
	2	213598-0	OIL SEAL L	1	PC.
93	1	5972002001	CRANKSHAFT COMPL	1	PC.
	2	5972002002	CRANKSHAFT COMPL	1	PC.
	3	142205-7	CRANKSHAFT COMPL	1	PC.
	4	126576-0	CRANKSHAFT ASSY	1	PC.
94	1	5973500100 *	INTAKE VALVE	1	PC.
	2	331964-0 *	INTAKE VALVE	1	PC.
95	4	331965-8 *	EXHAUST VALVE	1	PC.
96	1	5973500301 *	VALVE SPRING	2	PC.
	2	234212-5 *	COMPRESSION SPRING 11	2	PC.
97	1	5973500400 *	SPRING RETAINER	2	PC.
	2	331966-6 *	RETAINER	2	PC.
98	1	5973500500 *	SHAFT	1	PC.
	2	5973500501	SHAFT ROCKER ARM	1	PC.
	3	268310-3	PIN 5	1	PC.
99	3	126005-3 *	ROCKER ARM ASSY	2	PC.
100	1	5973500800	PUSH ROD - N/L/A	2	PC.
	2	256526-2	PUSH ROD	2	PC.
101	1	5973500700 *	SHAFT	1	PC.
	2	256186-0 *	PIN 5 (A component of #197786-6)	1	PC.
102	3	313266-6 *	CAM LIFTER L	1	PC.
	4	310715-4 *	CAM LIFTER L	1	PC.
103	1	5973002001	CAMGEAR ASSY	1	PC.
	2	5973002002	CAMGEAR ASSY	1	PC.
		INC. 5973003002	CAMGEAR COMPL (Added)	1	PC.
		INC. 5973501600	SPRING (Added)	1	PC.
		INC. 5973501400	FLY WEIGHT (Added)	1	PC.
		INC. 346434-6	CAM GEAR PLATE (Added)	1	PC.
104	1	5933500100	ROCKER SHAFT	1	PC.
	2	256200-2	PIN 5	1	PC.
105		5975001000	STARTER REWIND	1	PC.
		INC.	Item No.106-115		
106		5975500000	PULLEY	1	PC.
107	1	5195002060	SET SCREW	1	PC.
	2	266585-8	TAPPING SCREW 5X12	1	PC.
108	1	5975002040	COLLAR	1	PC.
	2	424516-5	COLLAR	1	PC.
109	1	5975002050	SWING ARM	2	PC.
	2	326200-7	SWING ARM	2	PC.
110	1	5975002030	FRICTION SPRING	1	PC.
	2	234257-3	FRICTION SPRING	1	PC.
111	1	5315001030	STOPPER	1	PC.
	2	424360-0	ROPE STOPPER	1	PC.
112	1	5315001020	STARTER KNOB	1	PC.
	2	424361-8	STARTER KNOB	1	PC.
114	1	5975002020	REEL	1	PC.
	2	441075-4	REEL	1	PC.
115	1	5255040030	SPIRAL SPRING	1	PC.
	2	232262-4	SPIRAL SPRING	1	PC.
116	1	0140059360	SCREW & WASHER ASS'Y	3	PC.
	2	266788-4	PAN HEAD SCREW M5X20 WITH WR	3	PC.
117		6679500702	MODEL LABEL	1	PC.
118		5973501200	CARBURETOR GASKET	1	PC.
119	4	266749-4 *	HEX. S.H.B. M5X25 WITH WR	2	PC.
120	1	5973009001	INSULATOR COMPL	1	PC.
	2	453858-0	INSULATOR COMPL	1	PC.
121	2	162333-2	INSULATOR GASKET (OLD# 5973501100)	1	PC.
122	2	0119059490 *	SOCKET HEAD BOLT M5X14 W/SW	1	PC.
123		5976001000	CARBURETOR	1	PC.
		INC.	Item No.124,126-144		

Item	Type	Sub	Description	Qty	Unit
124			5976001010 PUMP BODY ASSY	1	PC.
		INC.	Item No.125		
125	1		5016004010 INLET SCREEN	1	PC.
	2		352010-6 INLET SCREEN	1	PC.
	3		WJ00014070 INLET SCREEN	1	PC.
126	1		5236046040 METERING DIAPHRAGM GASKET	1	PC.
	2		442154-1 METERING DIAPHRAGM GASKET	1	PC.
127	1		5926008010 METERING DIAPHRAGM ASS'Y	1	PC.
	2		168574-8 METERING DIAPHRAGM	1	PC.
128	1		5236046140 AIR PURGE BODY ASS'Y	1	PC.
	2		140438-8 AIR PURGE BODY	1	PC.
129	1		5246001150 PRIMER PUMP	1	PC.
	2		424314-7 PRIMER PUMP	1	PC.
130	1		5236046050 PRIMER PUMP COVER	1	PC.
	2		346270-0 PRIMER PUMP COVER	1	PC.
131	1		5236046010 PUMP COVER SCREW	4	PC.
	2		266582-4 TAPPING SCREW 3X24	4	PC.
132	1		5216008010 CABLE ADJUST SCREW M6X8	1	PC.
	2		266795-7 ADJUST SCREW	1	PC.
133	1		5316005450 CABLE ADJUST NUT	1	PC.
	2		264065-8 CABLE ADJUST NUT M6	1	PC.
134	1		5236018040 SWIVEL	1	PC.
	2		325922-6 SWIVEL	1	PC.
135	1		5426005030 WASHER	1	PC.
	2		413140-9 WASHER	1	PC.
136	1		5246001240 THROTTLE COLLAR SCREW	2	PC.
	2		266704-6 PAN HEAD SCREW M3X10	2	PC.
137	1		5236052020 BRACKET CABLE	1	PC.
	2		346491-4 BRACKET CABLE	1	PC.
138	1		5316005120 RING	1	PC.
	2		257964-1 STOP RING E-3	1	PC.
139	1		5236018020 RING PACKING	1	PC.
	2		424444-4 PACKING RING	1	PC.
140	1		5926002020 PUMP SPRING	1	PC.
	2		234183-6 CONICAL COMPRESSION SPRING 5-9	1	PC.
141	1		5246001010 O RING	1	PC.
	2		213538-8 O RING 2	1	PC.
142	1		5976001020 JET #60	1	PC.
	2		WJ00112478 MAIN JET	1	PC.
143	1		5926002040 PUMP GASKET	1	PC.
	2		442155-9 PUMP GASKET	1	PC.
144	1		5246001040 PUMP DIAPHRAGM	1	PC.
	2		168575-6 PUMP DIAPHRAGM	1	PC.
145			6676501200 KNOB BOLT M5X45	2	PC.
146	2		6676002002 AIR CLEANER COVER	1	PC.
147	2		6676500201 AIR CLEANER ELEMENT	1	PC.
148	1		004-36051-6C SCREW ASS'Y M5X16 W/ SW	4	PC.
	2		266494-1 + PAN HEAD SCREW M5X16	4	PC.
149	3		6676003002 * AIR CLEANER CASE ASSY	1	PC.
		INC.	* Item No.150-153		
	4		126377-6 AIR CLEANER CASE ASSY		
		INC.	* Item No.150-153		
150	1		6676500600 * SEPARATOR PLATE	1	PC.
	2		6676501300 * SEPARATOR PLATE	1	PC.
	3		162358-6 SEPARATOR PLATE	1	PC.
151	1		5316500701 CHECK VALVE	1	PC.
	2		424315-5 CHECK VALVE	1	PC.
152	1		5923502400 CHECK VALVE - N/L/A	1	PC.
	2		424316-3 CHECK VALVE	1	PC.
153	2		6676500500 CHECK VALVE PLATE	1	PC.
	3		454834-7 CHECK VALVE PLATE	1	PC.
154	1		0851139920 * TUBE	1	PC.
	2		412121-0 * TUBE 3-130 (Remain Available)	1	PC.
	3		412129-4 * TUBE 3-105	1	PC.

Item	Type	Sub	Description	Qty	Unit
155	1	0561079990 *	HOSE CLAMP	1	PC.
	3	282027-4 *	HOSE CLAMP 6	1	PC.
156	1	0851029930	TUBE	1	PC.
	2	422096-5	TUBE 3-25	1	PC.
157	1	5973502200	JOINT PIPE	1	PC.
	2	452952-5	HOSE JOINT	1	PC.
158	2	0851199960 *	TUBE 3-190	1	PC.
159		5973006000	INTAKE CASE ASSY	1	PC.
		INC.	Item No.160-163		
160		5973501800	CHOKE LEVER	1	PC.
161		5973501700	CHOKE PLATE	1	PC.
162		5973006010	TAPPING SCREW 4X12	2	PC.
163		5973501900	INTAKE PLATE	1	PC.
164	1	0043605650	SCREW ASS'Y M5X65	2	PC.
	2	911288-6	PAN HEAD SCREW M5X65	2	PC.
165		0561679990	HOSE CLAMP	1	PC.
166		0561439990	HOSE CLAMP	1	PC.
167	2	6676500400	AIR CLEANER DUCT	1	PC.
168	1	5973501301	MUFFLER GASKET	1	PC.
	2	5973501302	MUFFLER GASKET	1	PC.
	3	346682-7	MUFFLER GASKET	1	PC.
169	3	5973001003 *	EXHAUST MUFFLER	1	PC.
170		0200069890 *	WASHER (OLD, Remains available)	3	PC.
171	1	0119069650 *	SOCKET HEAD BOLT M6X70 (Remains available)	3	PC.
	2	266771-1 *	SOCKET HEAD BOLT M6X18	3	PC.
172	1	5927500100	PLUG CAP	1	PC.
	2	424105-6	PLUG CAP	1	PC.
173	1	0654009931	PLUG CAP SPRING - N/L/A	1	PC.
	2	324891-8	PLUG CAP SPRING	1	PC.
174		0119049970	SOCKET HEAD BOLT M4X20	2	PC.
175	1	6165500201	WIRE	1	PC.
	2	638784-6	WIRE	1	PC.
176	1	5927011000	WIRE 2	1	PC.
	2	638710-5	LEAD WIRE	1	PC.
177		5977001010	IGNITION COIL	1	PC.
178		5977001020	FLYWHEEL COMPL	1	PC.
179	1	0023710000	FLANGE NUT M10	1	PC.
	2	264054-3	FLANGE NUT M10	1	PC.
181		0561769990	HOSE CLAMP	1	PC.
183		0561009990	HOSE CLAMP	1	PC.
187	1	5973502300 *	CAM LIFTER	1	PC.
	2	313267-4	CAM LIFTER	1	PC.
188		6672500400 *	FAN COVER	1	PC.
189		6672500300 *	ROCK RIVET	2	PC.
190	1	6676501500 *	INSULATION LABEL	1	PC.
	2	443174-8 *	INSULATION LABEL A	1	PC.
191	1	6676501600 *	INSULATION LABEL	1	PC.
	2	443175-6 *	INSULATION LABEL B	1	PC.
192	1	6676501700 *	INSULATION LABEL	1	PC.
	2	443176-4 *	INSULATION LABEL C	1	PC.
198		331967-4 *	COTTER (Added)	4	PC.
199		331937-3 *	EXHAUST PORT SPACER (Added)	1	PC.
200	1	412123-6 *	TUBE 10-110 (Remains Available)	1	PC.
	2	412130-9 *	TUBE 10-50	1	PC.
201		412127-8 *	TUBE 10-170	1	PC.
202		412124-4 *	TUBE 10-220	1	PC.
203		412122-8 *	TUBE 3-240	1	PC.
206		443193-4 *	INSULATION LABEL D(Added)	1	PC.
E01		892689-6	GAS EMISSION APPROVAL LABEL (N/L/A for Repair)	1	PC.
E02		345920-4 *	HOSE CLAMP (Added)	1	PC.



Item	Type	Sub	Description	Qty	Unit
<b><u>ACCESSORIES</u></b>					
A01		0650109950	SPARK PLUG CMR6A	1	PC.
A02	1	5975002110	STARTER ROPE	1	PC.
	2	444043-6	STARTER ROPE	1	PC.
A03	1	6679002000	SWIVEL PIPE COMPLETE	1	PC.
	2	168746-5	SWIVEL PIPE COMPLETE	1	PC.
A04	1	6679500000	FLEXIBLE PIPE	1	PC.
	2	412115-5	FLEXIBLE PIPE	1	PC.
A05	1	6679501801	STRAIGHT PIPE	1	PC.
	2	455633-0	STRAIGHT PIPE 450	1	PC.
A06	1	6679501900	END PIPE	1	PC.
	2	455632-2	END PIPE 450	1	PC.
A07		6679001000	BAND COMPLETE	2	PC.
A08	1	6909059000	TOOL KIT	1	PC.
	2	194717-6	BOX WRENCH SET	1	PC.
A09	1	6679500201	END PIPE	1	PC.
	2	455631-4	END PIPE 200	1	PC.
A10		196334-8	* ANTI-STATIC BELT SET (OPTIONAL F/ Item No.14 ELBOW) (Added)	1	PC.

**SERVICE CHANGES**

**1. Changes on Engine Cover**

(T/I# Y05064) (T/I#Y05801) (T/I# Y06063) (T/I# Y06152) (T/I# 97294)

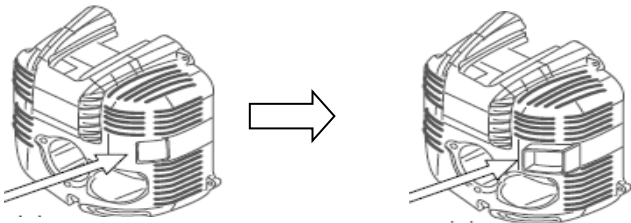
Item No.	Description	Type 1	Type 2	Type 3	Type 4	Type 5	Type 6
30	Engine Cover	6676500802	6676500803	6676500804	6676500805	453712-8	141521-4 (INC. Item 25, 190-192)
24	Muffler Guard	6676500700		----			
23	Tapping Screw 4x6	0150049820		-----			
190	Insulation label A	-----		6676501500 OR 443174-8			
191	Insulation label B	-----		6676501600 OR 443175-6			
192	Insulation label C	-----		6676501700 OR 443176-4			

Above parts are completely interchangeable as a set.

Type 5 Engine Cover remains available

(Type 1)

(Type 2)

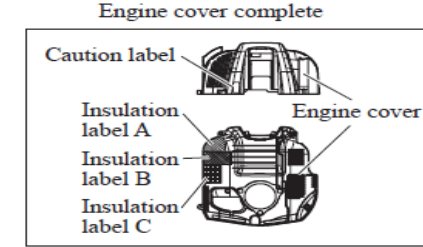
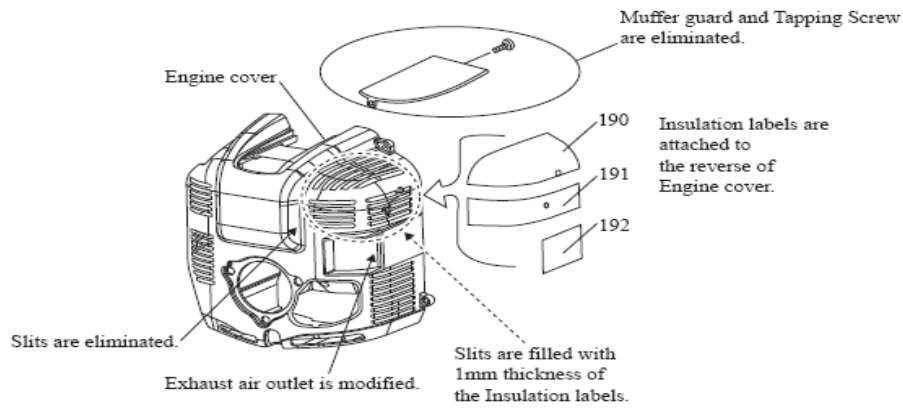


Exit for gas emission

Exit for gas emission has been modified

(Type 3)

(Type 6)

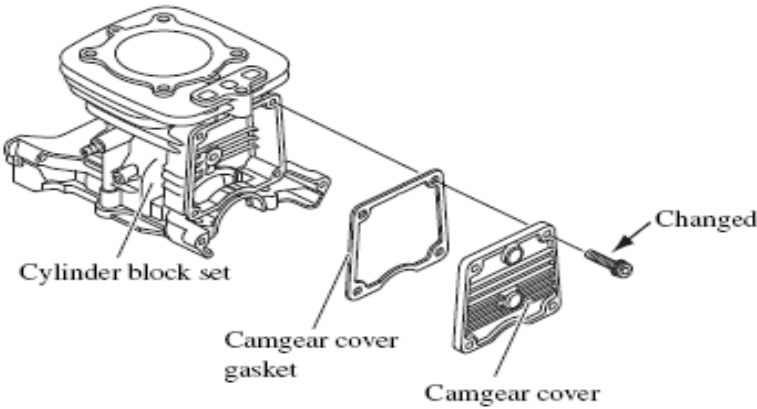


Note: The component labels of Engine cover complete are available to supply continuously.

**2. Screw Assy and Socke Head Bolt**

Item No.	Description	Type 1	Type 2	Type 3
72	Screw Assy/ S.H.Bolt	004-36051-60	0119059531	266813-1

\*Above parts are interchangeable each other.

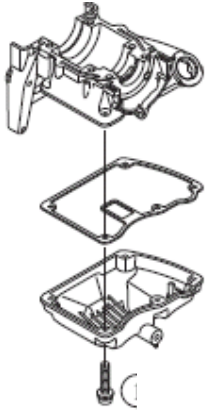


**SERVICE CHANGES**

**3. Changes on Screw and Screw Assy** (T/I#Y05470) (T/I# Y06152) (T/I# A7397)

Item No.	Description	Type 1	Type 2	Type 3	Type 4
82	Screw M5x25	0140059680		0119059390	
60	Screw Assy	0043605300	0119059570	266789-2	922253-0

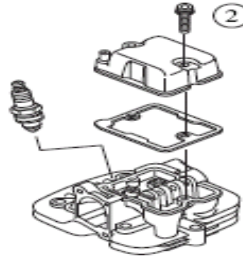
Above parts are interchangeable each other. (Type1 remains available)



M5x25 Screw with flat washer and spring washer for Oil



M5x25 Socket head bolt with flat washer and spring washer for Oil



Screw ass'y with flat washer and spring washer for Rocker Cover

M5x30 S.H.Bolt with flat washer and spring washer for Rocker cover

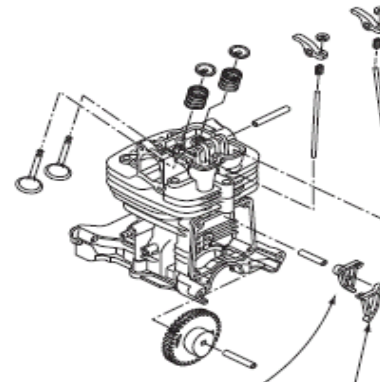
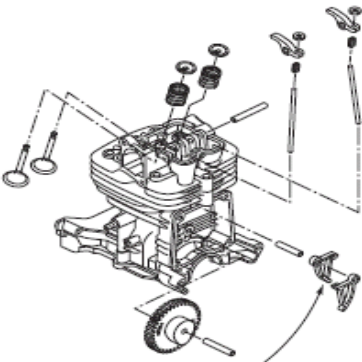
**4. Cam Lifter** (T/I#Y05353)

Item No.	Description	Type 1	Type 2	Type 3
102	Cam Lifter	5973500601 (2PC)	5973500601 (1PC)	313266-6 (1PC)
187	Cam Lifter	-----	5973502300	-----

Above parts are completely interchangeable as a set.

(Type 1)

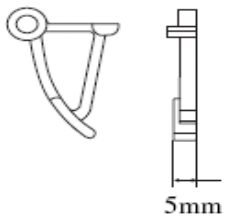
(Type 2)



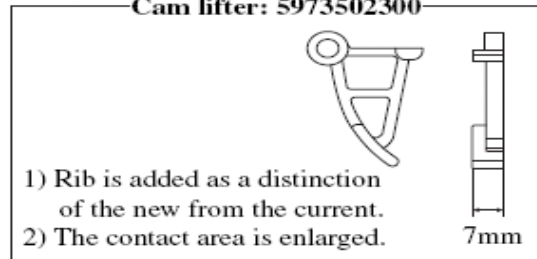
Both exhaust and intake sides  
Cam lifters : 5973500601

Exhaust side  
Cam lifter: 5973502300

Intake side (The cam lifter remains 5973500601.)



5mm



1) Rib is added as a distinction of the new from the current.  
2) The contact area is enlarged.

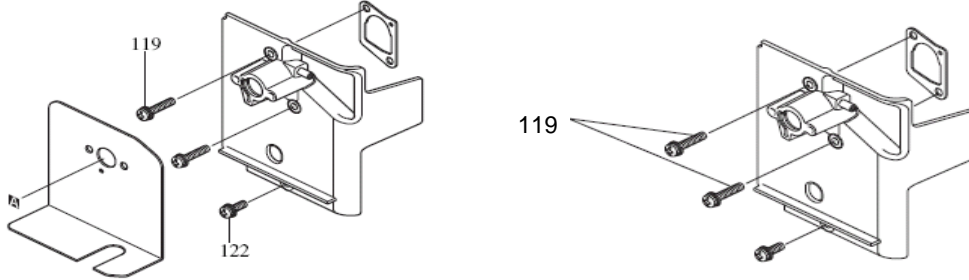
7mm

**SERVICE CHANGES**

**5. Screw, Screw Assy, Socket Head Bolt** (T/I#Y05301) (T/I#Y05507) (T/I# 06029)

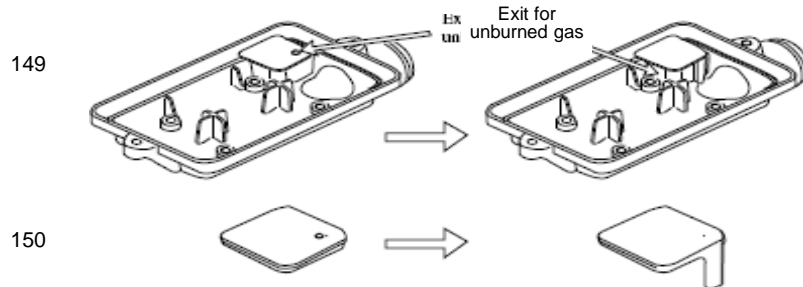
Item No.	Description	Type 1	Type 2	Type 3	Type 4
119	Screw M5x25 / S.H.Bolt M5x25	0140059680	119059390 (Do Not Use)	0119059640 (S.H.Bolt)	266749-4
122	Screw Assy M5x14	0043605140	0119059490 (S.H.Bolt M5x14 W,SW)		

Above parts are completely interchangeable as a set.



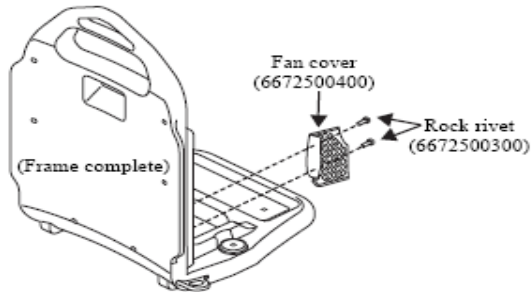
**6. Air Case Cleaner Assy and Separator Plate**

Item No.	Description	Type 1	Type 2
149	Air Case Cleaner	6676003001 (N/L/A)	6676003002
150	Separator Plate	6676500600 (N/L/A)	6676501300



**7. Addition of Fan Cover and Rock Rivet to Frame complete**

Item No.	Description	Type 1	Type 2
188	Fan cover	-----	6672500400
189	Rock rivet	-----	6672500300



**SERVICE CHANGES**

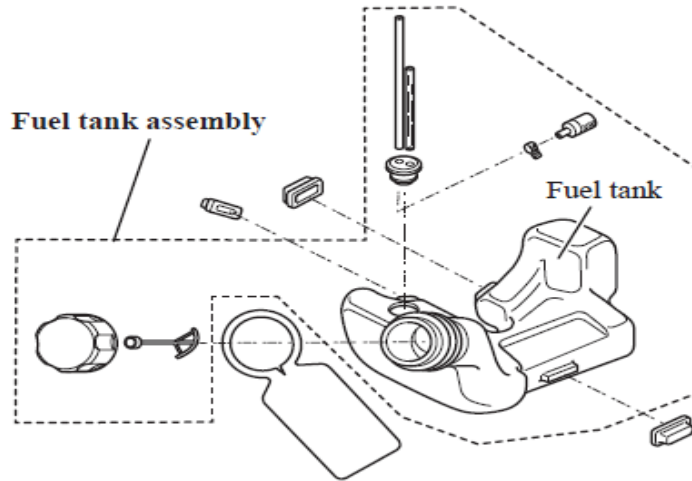
**8. Changes on Fuel Tank**

Item No.	Description	(T/I# Y06031)		(T/I# Y06063)	(T/I# Y06210)	(T/I# A7689)
		Type 1	Type 2	Type 3	Type 4	Type 4
37	Fuel Tank	6673002001 Fuel Tank Com.	6673005000 Fuel Tank Com. Fluoridized	453698-6 Fuel Tank - N/A	454007-2 Fuel Tank, Fluoridized	123421-0 Fuel Tank Assembly. Inc. Item No. 31-36

Service Note:

Type 1 & 2 cannot be used for the product manufactured after 2012.

**Type 4**



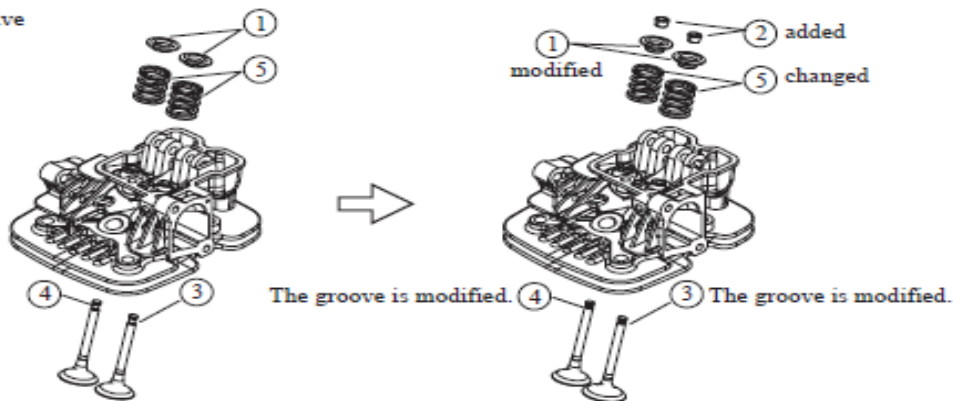
**9. Changes around Valve**

Item No.	Description	(T/I#Y05468)		(T/I# Y06029)		Image No.
		Type 1	Type 2	Type 3	Type 4	
94	Intake valve		5973500100		331964-0	3
95	Exhaust valve	5973500200	5973500201	5973500202	331965-8	4
96	Spring		5973500301		234212-5	5
97	Retainer		5973500400		331966-6	1
198	COTTER		----		331967-4	2

Exhaust side ... Item No. 95, 96, 97 and 198 are interchangeable as a set.

Inner take side ... Item No. 94, 96, 97 and 198 are interchangeable as a set.

**Around Valve**



**SERVICE CHANGES**

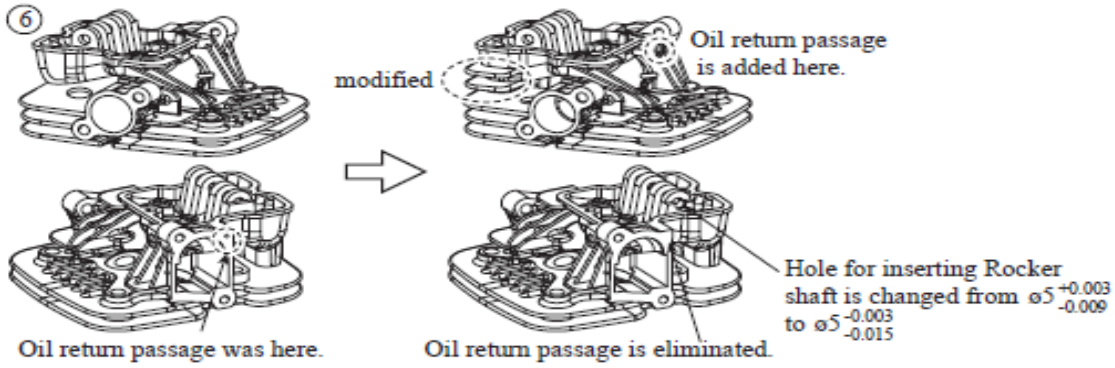
**10. Changes around Cylinder Head** (T/I# Y05380) (T/I# Y06029) (T/I# Y06111, Y06308, Y06172) (T/I# A0518) (T/I# A3731)

Item No.	Description	Type 1	Type 2	Type 3	Type 4	Type 5	Type 6	Image No.
19	Case 2 Volute Assy	6671008001		671008002	6671008003			18
63	Cylinder head com.	5971003001		5971003002 (INC. Item No. 98 & 99)		142381-7 (INC. Item No.)	142771-4 (INC. Item No. 98 & 99)	6
98	Shaft >Pin 5 (Name chage fm Type5)	5973500500		5973500501		268310-3		7
99	Rocker arm assy	5973004000	126005-3		126005-3			8
199	Exhaust port spacer	----	331937-3	331937-3				9
169	Exhaust muffler	5973001001	5973001002	5973001003				10
170	Washer	0200069890			----			12
171	S.H. Bolt	0119069650			266771-1			11
158	Tube 3-190	0851199960 (2 pc.)			0851199960 (1 pc.)			13-1
200	Tube 10-100/10-50	----		412123-6 (110mm)		412130-9 (50mm)		14
201	Tube 10-170	----			412127-8			15
202	Tube 10-220	----			412124-4			16
203	Tube 3-240	----			412122-8			13-2
61	Rocker Cover	5971500700		5971500701		141771-1		22
154	Tube 3-130/3-105	0851139920		412121-0 (130mm)		412129-4 (105mm)		24
155	Hose Clamp	0561079990				282027-4 or 0561069990		

Type 2 & Type 3 parts are completely interchangeable as a set.  
 Type 3 & Type 4 parts for Item 61, 154, 155 and 200 are interchangeable as a set.  
 Type 3 Item No. 154 & 200 remain available.  
 (See Illustration on Next Page)

**SERVICE CHANGES**

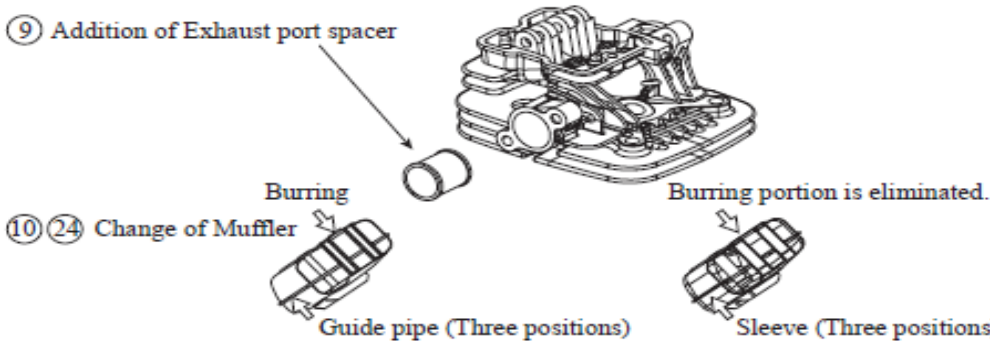
**Around Cylinder head**



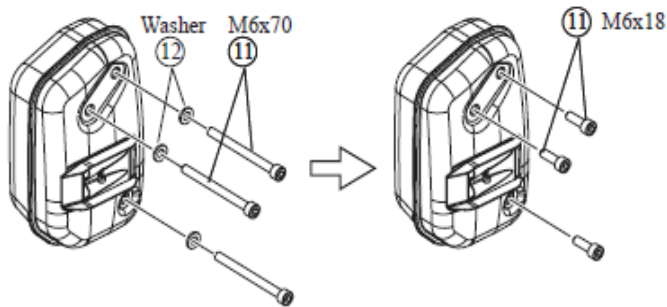
⑦ Change of Outer diameter of Rocker arm shaft  $\phi 5^{0}_{-0.010} \rightarrow \phi 5^{0}_{-0.002}$

⑧ Rocker arm assembly is treated as the component of ⑥. However, the current parts remain available.

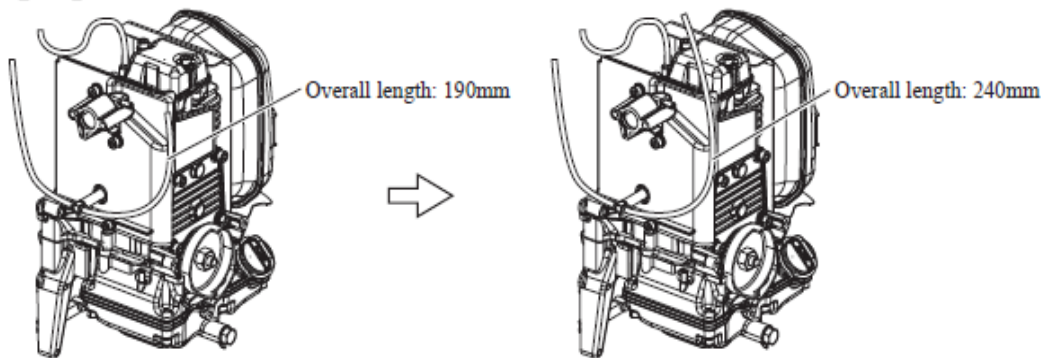
⑨ Addition of Exhaust port spacer



⑪⑫ Change of Bolt for securing Muffler



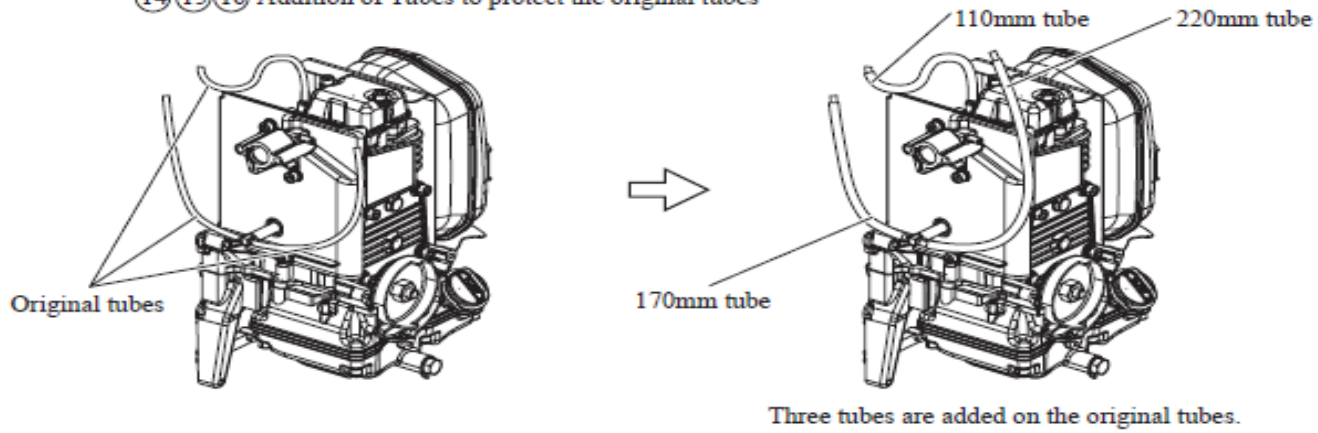
⑬-① ⑬-② Change of Tube (one of Two tubes is changed.)



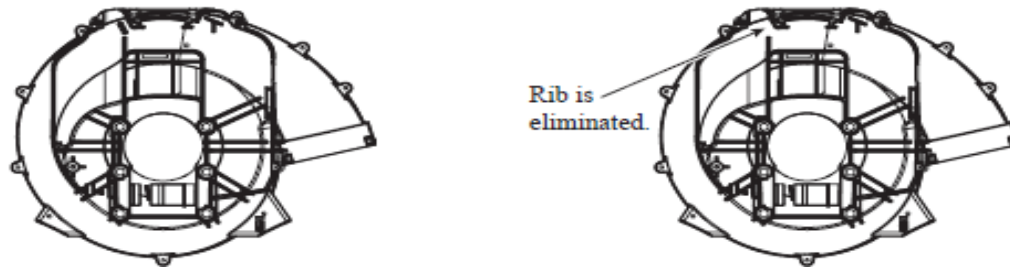


**SERVICE CHANGES**

⑭⑮⑯ Addition of Tubes to protect the original tubes

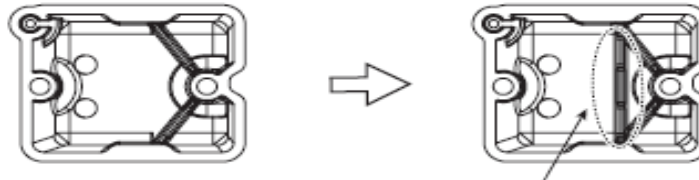


⑰⑱ Change of Case 2 volute assy

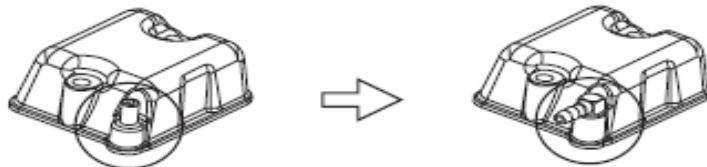


⑳ Change of Rocker cover

Type 2 > 3



Type 3 > 4

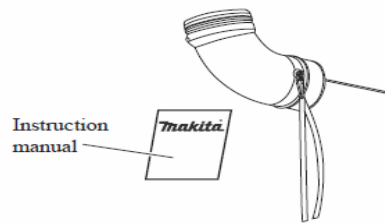


(T/I# Y05380) (T/I# Y06029) (T/I# Y06111, Y06308, Y06172)

**11. Available Anti-Static Belt Set as optional Accessory**

Item No.	Description	Type 1
A10	Anti-Static Belt Set	196334-8

(T/I#Z20769)



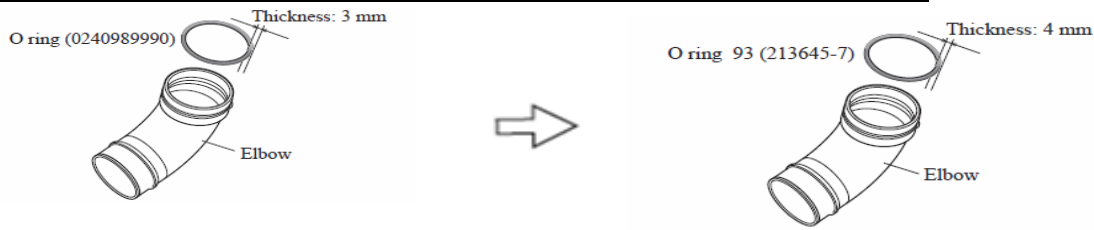


**SERVICE CHANGES**

**12. Changes on O ring**

(TI#Y06345)

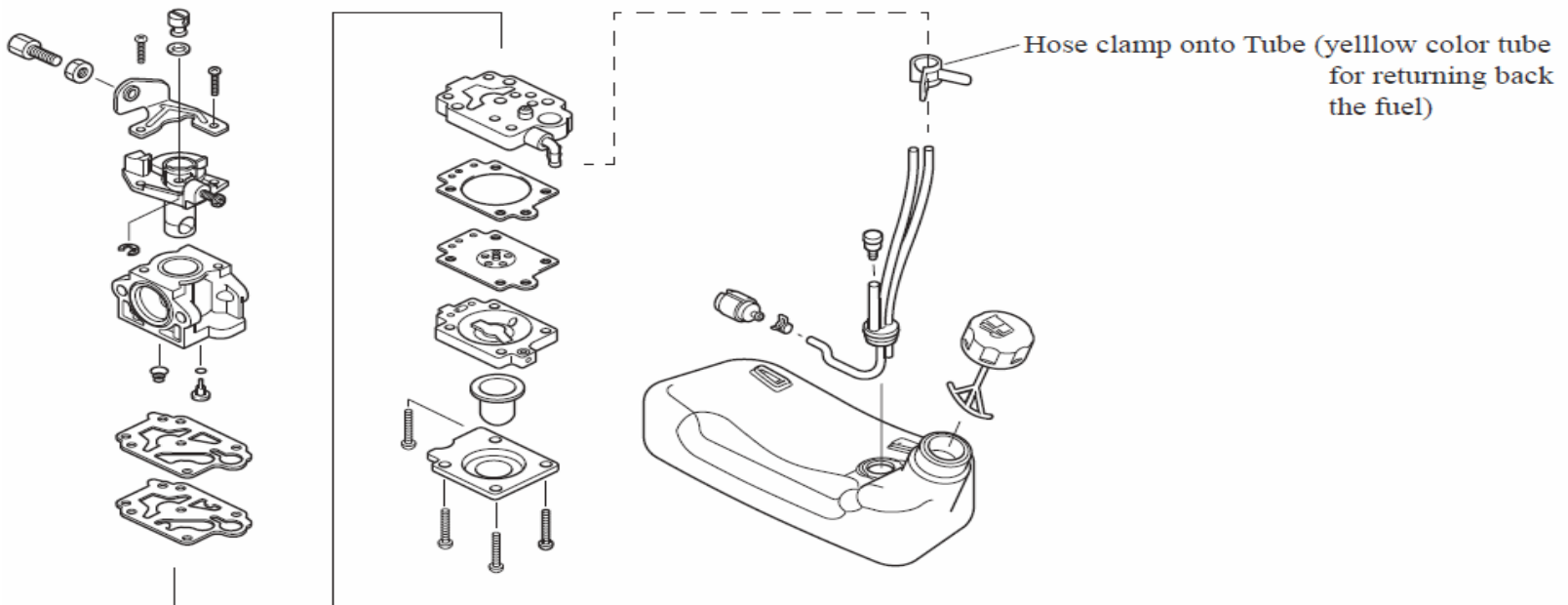
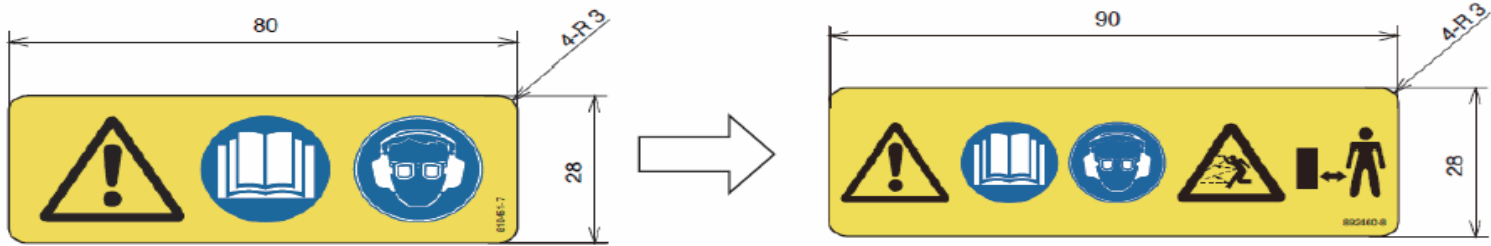
Item No.	Type 1	Type 2
A10	0240989990 O Ring	213645-7 O Ring 93



**13. Changes on Caution label, and addition of Hose clamp**

(TI#A5745)

Item No.	Description	Type 1	Type 2
22	Caution label	736289980	892460-8
E02	Hose Clamp	-----	345920-4



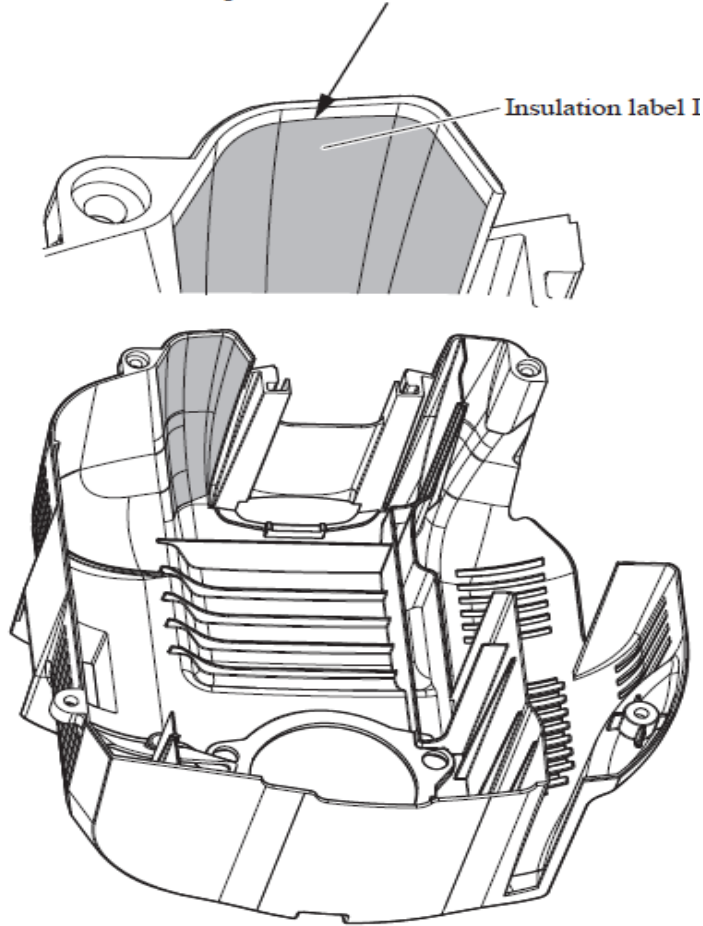
**SERVICE CHANGES**

**14. Addition of Insulation label D** (Tl#A4828)

Item No.	Description	Part No.
206	Insulation label D	443193-4

\*\*The component of Engine cover complete (141521-4)

The attached position is 5 mm inside from the end.

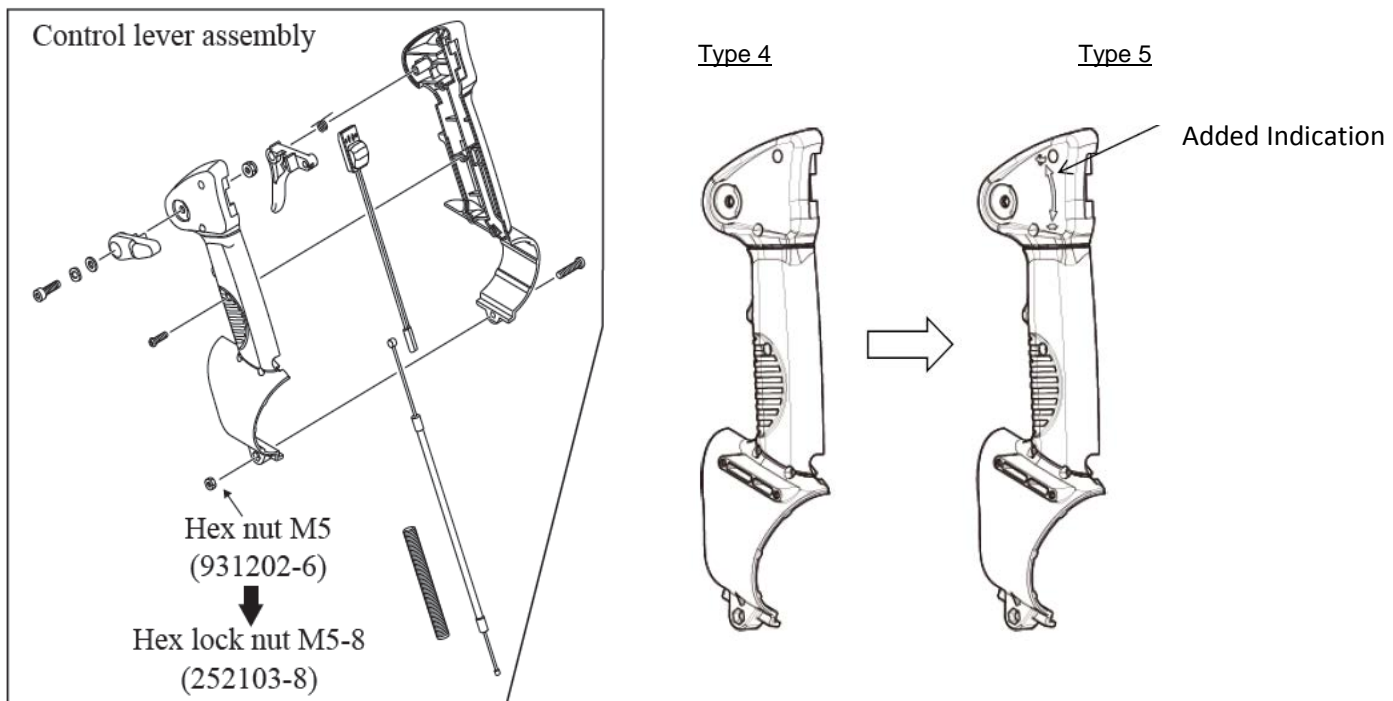


**15. Changes on Control Lever Assembly**

(T/l#Y06308) (T/l# A5944) (T/l# B4128)

Item No.	Description	Type 1	Type 2	Type 3	Type 4	Type 5
46	CONTROL LEVER ASSY >CONTROL LEVER SET	6675001001	6675001002	126137-6	197095-3	198218-6
57	HEX. NUT M5 >HEX LOCK NUT M5-8	0170059950		931202-6	252103-8	

Type 3 and Type 4 are interchangeable as a set. No. 46 includes No. 57



**SERVICE CHANGES**

**16. Change on Cam lifter L and Cylinder Block Assembly**

(TI#B1426)

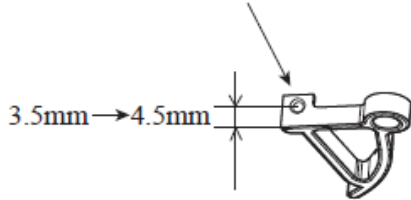
Item No.	Description	Type 1	Type 2
67	Cylinder Block Set	5971007001	197786-6
101	Pin 5	256186-0	INC. of Item No. 67
102	Cam Lifter L	313266-6	310715-4

Above parts are completely interchangeable as a set.

No. 102 Refer to 4. Cam Lifter Service Change as well.

Cam lifter L

The depression for  
Push rod is changed.



The assembly process of Pin 5  
for Cam lifter is changed from  
INSERTION to PRESSFIT.

Cylinder block ass'y/set

